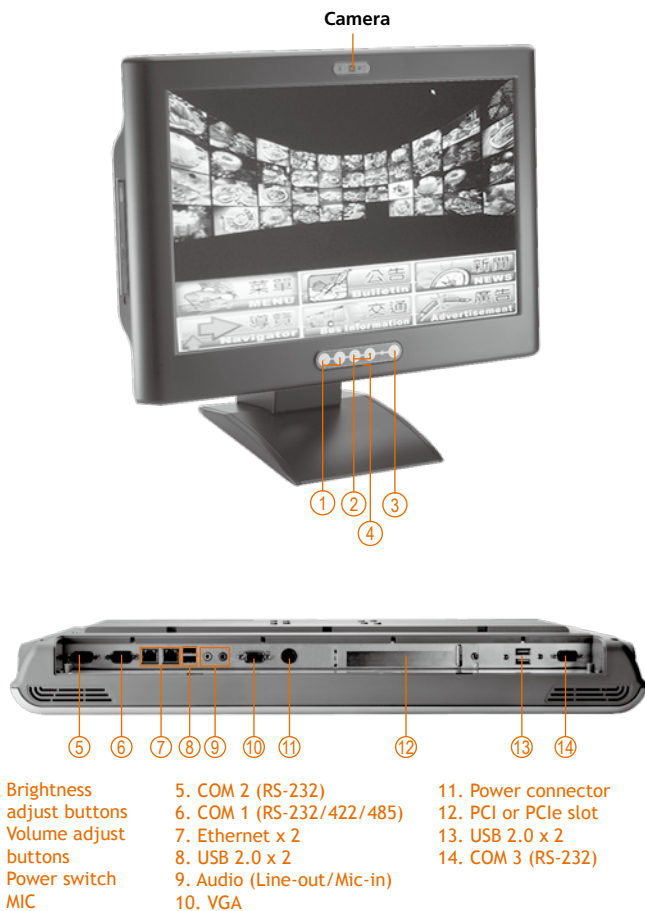


IFO2225-851

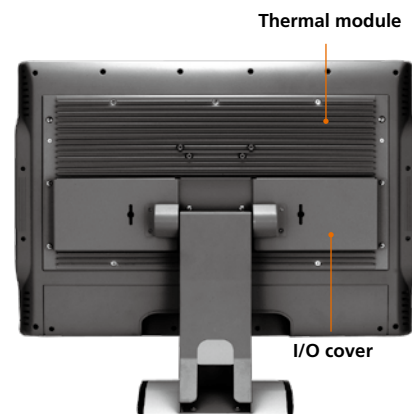
22" TFT Fanless Super Slim Touch Panel Computer with Intel® Core™2 Duo Processor up to 2.53 GHz



Features



- 22" high brightness (300 nits) WSXGA+ TFT LCD
- Fanless socket P Intel® Core™2 Duo or Intel® Celeron® M processor
- Spill/dust resistant design (front panel: IP65, whole enclosure: IPX1)
- 1 PCI or PCIe x4 expansion slot (optional)
- Optional bluetooth/internal WiFi (802.11 b/g)
- Optional 1.3 mega pixels camera



Introduction

The IFO2225-851 is a slim panel computer equipped with 22-inch 300 nits high brightness WSXGA+ LCD display and supports superior Intel® Core™2 Duo/Celeron® M processor. Powered by Intel® GM45+ICH9M core logic chipset with maximum 256 MB sharing graphics memory, this panel computer has better graphics performance. The panel also supports DualView and multiple I/O options including 2 USB 2.0 and 3 RS-232 ports. The built-in 1.3 mega pixels camera and microphone/speakers can provide the solution for VoIP and remote monitoring. Furthermore, the IFO2225-851 supports an antenna for wireless (802.11 b/g) connection. The dual Gigabit Ethernet ports provide the extremely high speed of Ethernet and high reliable redundancy host connection. This robust unit is designed to work with low noise, low power consumption, high reliability and

high performance applications. Besides, excellent ID (industrial design) and user friendly interface design make the it perfect with super slim, professional outlook, better user interface, and excellent protection at once! This safe, reliable & user-friendly panel computer can ensure customer's project success and best suited for infotainment, media content display, and DSA solutions.

Water/dust-proof design for entire system: IPX1

The IPX1-rating water/dust-proof housing protects the entire system from outside damage of water drip in public place. This unique design improves system stability and save maintenance/re-installation time.

Specifications

Front Bezel	Plastic ABS (Black)		BIOS	AMI BIOS with SmartView and customer CMOS backup
LCD Panel	Display Type	22" WSXGA+ TFT	Storage	Supports 1 x 2.5" SATA HDD 1 x CompactFlash™
	Brightness (cd/m ²)	300 nits	Optional Drive	1 x combo driver (for IFO-2225-851-FL-AC-CO)
	Resolution	1680 x 1050	Watchdog Timer	255 levels, 0-255 sec.
	Viewing Angle (H/V)	160° / 160°	Onboard Graphics	Intel® GM45; max. memory shared 256 MB
Main System	CPU	Socket P Intel® Core™2 Duo or Intel® Celeron® M processor		
	Chipset	Intel® GM45+ICH9M		
	System Memory	Supports 2 x DDR3 SO-DIMM memory up to 8 GB		

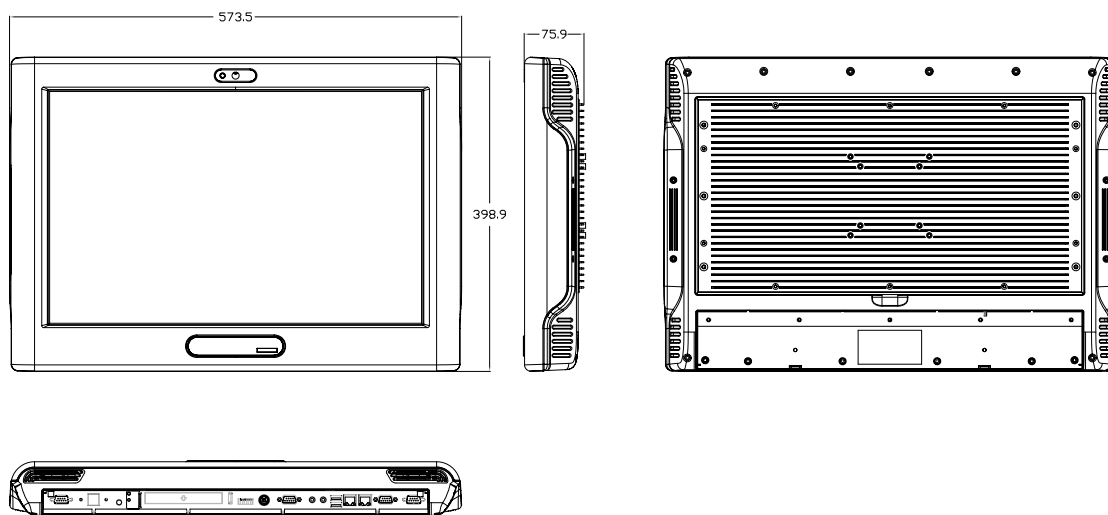
I/O Connectors	2 x RS-232 (COM 2/3) 1 x RS-232/422/485 (COM 1) 4 x USB 2.0 1 x Audio (Mic-in/Line-out) 2 x 10/100/1000Mbps Ethernet 1 x VGA
Expansion Interface	1 x PCI or PCIe x4 slot (optional)
Camera	1 x 1.3 mega pixels camera
Touchscreen	Resistive type Light transmission: 80% Touch life 35 million touches
Power Supply	12V _{DC} , with AC-DC adaptor
Dimensions	573.5mm (22.57") (W) x 68.5mm (2.69") (D) x 398.9mm (15.7") (H)
Weight (net/gross)	10.58 kg (23.32 lb)/15.16 kg (33.42 lb)
Environmental	Operation temperature: 0°C - +40°C (32°F - 104°F) Relative humidity: 10% - 95%, non-condensing Shock: 10G peak acceleration (11 sec. duration)
Certification	CE

Ordering Information

IFO2225-851-FL-AC -CO	22" TFT fanless touch panel computer with resistive T/S, slim combo and camera
IFO2225-851-FL-AC -PCI	22" TFT fanless touch panel computer with resistive T/S, PCI expansion, slim combo and camera
IFO2225-851-FL-AC -PCIe	22" TFT fanless touch panel computer with resistive T/S, PCIe expansion, slim combo and camera
IFO2225-851-FL-AC	22" TFT fanless touch panel computer with resistive T/S (w/o combo and camera)

*Specifications and certifications are limited to optional.

Dimensions



Optional Accessories

E202003330	VM-101 VESA ARM (clamp type)
E202003329	VM-105 VESA ARM (wall mount type)
E222175103	22" stand kit

Optional OS Installation

Windows® XP
Windows® 7
Linux kernel 2.6

Touch Panel
Computers for
Various Industry
Applications

Digital Signage
and Display
Solutions

Medical Panel
Computers

Medical Grade
Monitors

GOT Fanless
Touch Panel
Computers

Touch Panel
Computers for
Infotainment

Touch Panel
Computers for
Automation

Touch Panel
Monitors for
Automation