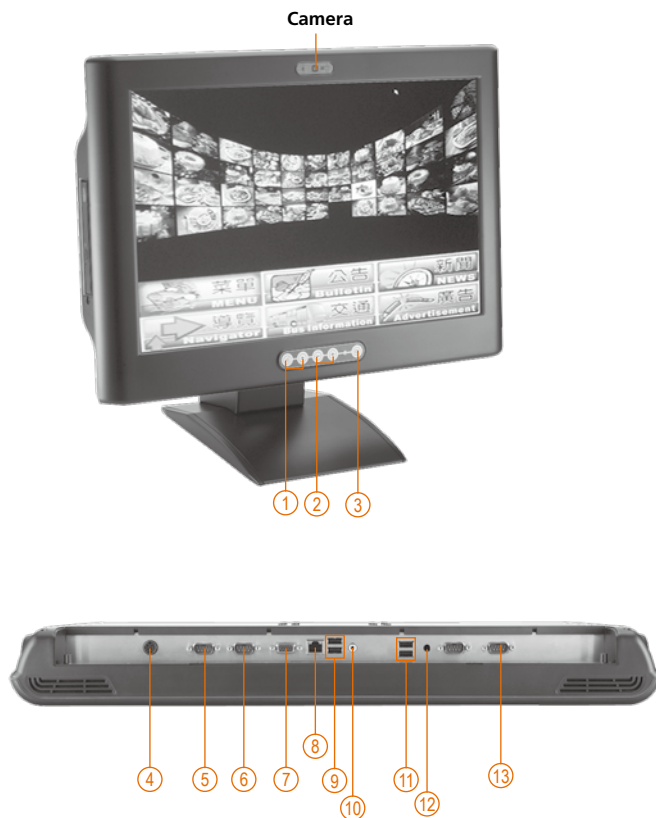


IFO2225-830

22" TFT Fanless Touch Panel Computer with Intel® Atom™ Processor N270

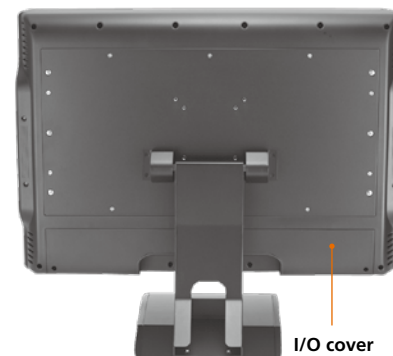


- | | | |
|------------------------------|----------------------|--------------------|
| 1. Brightness adjust buttons | 6. COM 2 (RS-232) | 11. USB 2.0 x2 |
| 2. Volume adjust buttons | 7. VGA | 12. COM 3 (RS-232) |
| 3. Power switch | 8. Ethernet | 13. COM 4 (RS-232) |
| 4. DC-in power connector | 9. USB 2.0 x 2 | |
| 5. COM 1 (RS-232/422/485) | 10. Audio (Line-out) | |

Features



- 22" (300 nits) WSXGA+ TFT LCD
- Intel® Atom™ processor N270 1.6 GHz
- Spill/dust-resistant design (front panel: IP65, whole enclosure: IPX1)
- Fanless and noiseless operation
- Optional 1.3 mega pixels camera
- Optional wireless (802.11 b/g) antenna



I/O cover

Introduction

The IFO2225-830 is a slim panel computer equipped with 22-inch 300 nits WSXGA+ LCD display and supports superior Intel® Atom™ processor N270. Powered by Intel® 945GSE+ICH7M core logic chipset with maximum 256MB sharing graphics memory, this panel computer has better graphics performance. The panel also supports DualView and multiple I/O options including 4 USB 2.0 and 4 RS-232 ports. Furthermore, the IFO2225-830 supports antenna for 802.11b/g wireless connection. Besides, the Gigabit Ethernet ports provides the extremely high speed of Ethernet. It features low noise, low power consumption, high reliability and high performance. Besides, the excellent ID (industrial design) and user friendly interface design make the IFO2225-830 perfect with super slim,

professional outlook, better user interface and excellent protection at once! This safe, reliable & user-friendly panel computer can ensure customer's project success and best suited for infotainment, media content display and DSA solutions.

Water/dust-proof design for entire system: IPX1

The IPX1-rating water/dust-proof housing protects the entire system from outside damage of water drip in public place. This unique design improves system stability and save maintenance/re-installation time.

Specifications

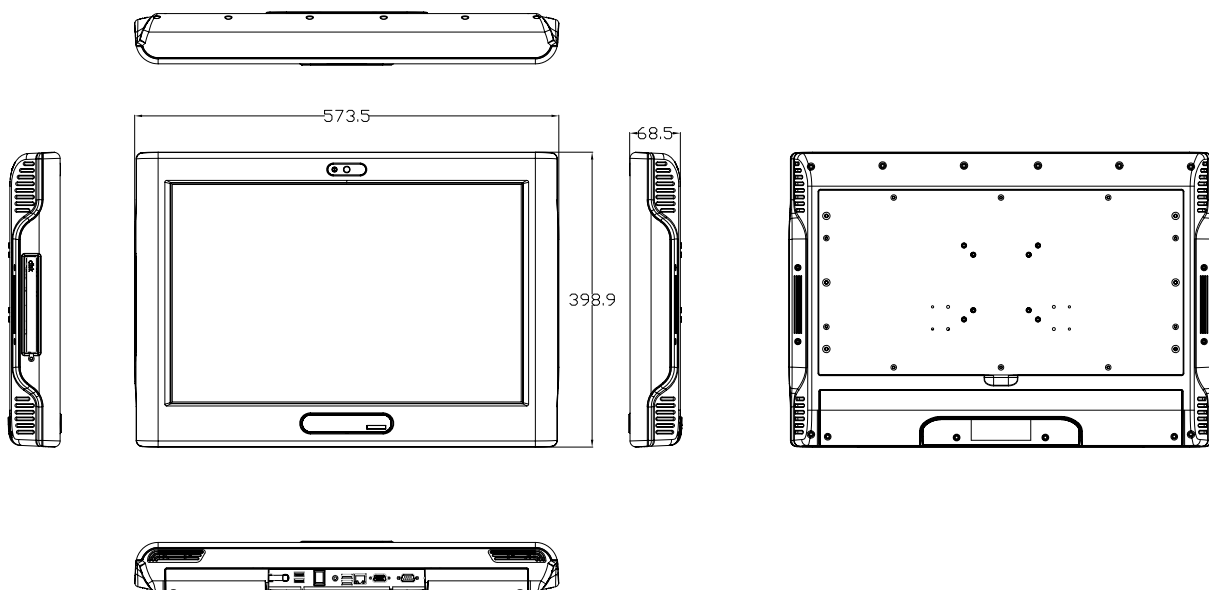
Front Bezel	Plastic ABS (Black)	BIOS	AMI BIOS with SmartView and Customer CMOS Backup	
LCD Panel	Display Type	22" WSXGA+ TFT	Storage	Supports 1 x 2.5" SATA HDD
	Brightness (cd/m ²)	300 nits		1 x CompactFlash™
	Resolution	1680 x 1050	Optical Drive	1 x combo driver (optional)
	Viewing Angle (H/V)	178° / 178°	Watchdog	255 levels, 1-255 sec.
Main System	CPU	Intel® Atom™ processor N270 1.6 GHz	Timer	
	Chipset	Intel® 945GSE+ICH7M	Onboard	Integrated in Intel® 945GSE; max. memory shared 256 MB
	System Memory	1 x DDR2 SODIMM max. up to 2 GB	Graphics	

I/O Connectors	3 x RS-232 (COM 2/3/4) 1 x RS-232/422/485 (COM 1) 4 x USB 2.0 1 x Audio (Line-out) 1 x VGA 1 x 10/100/1000Mbps Ethernet
Expansion Interface	1 x Mini card slot
Camera	1 x 1.3 mega pixels camera
Touchscreen	Resistive type
Power Supply	12Vdc, with AC-DC power adaptor
Dimensions	573.5mm (22.58") (W) x 68.5 (2.69") (D) x 399mm (15.71") (H)
Weight (net/gross)	8.22 kg (18.12 lb)/9.87 kg (21.76 lb)
Environmental	Operation temperature: 0°C ~ +40°C (32°F ~ 104°F) Relative humidity: 10% ~ 95%, non-condensing Shock: 10G peak acceleration (11 sec. duration)
Certification	CE

Ordering Information

IF02225-830-FL-AC-CO	22" TFT high brightness fanless panel computer with Intel® Atom™ N270, resistive T/S, combo and camera
IF02225-830-FL-AC	22" TFT high brightness fanless panel computer with Intel® Atom™ N270, resistive T/S (w/o combo and camera)

Dimensions



Optional Accessories

E202003330	VM-101 VESA ARM (clamp type)
E202003329	VM-105 VESA ARM (wall mount type)
E222175103	22" stand kit

Optional EOS Installation

Windows® XP Embedded

Optional OS Installation

Windows® XP
Windows® 7

Touch Panel
Computers for
Various Industry
Applications

Digital Signage
and Display
Solutions

Medical Panel
Computers

Medical Grade
Monitors

GOT Fanless
Touch Panel
Computers

Touch Panel
Computers for
Infotainment

Touch Panel
Computers for
Automation

Touch Panel
Monitors for
Automation